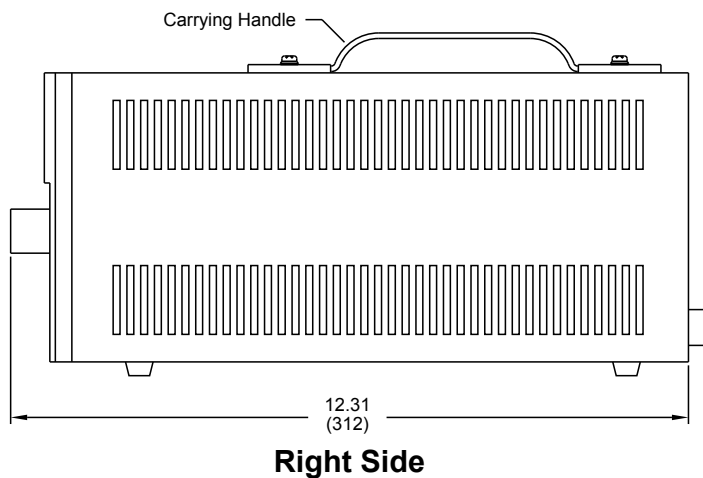
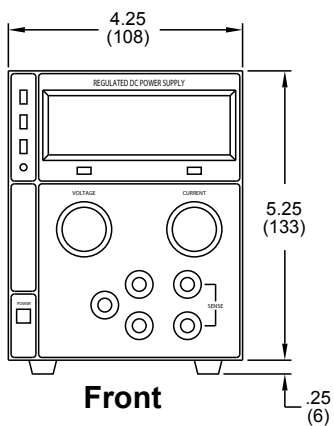
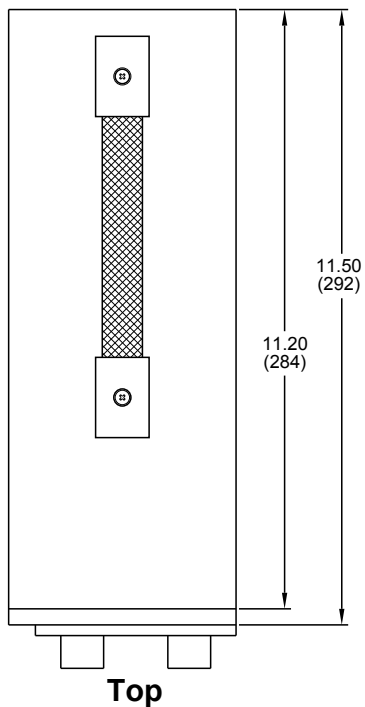


# XT Series : Technical Diagram



Optional J-305 Analog  
or IEEE-488 STD Port

